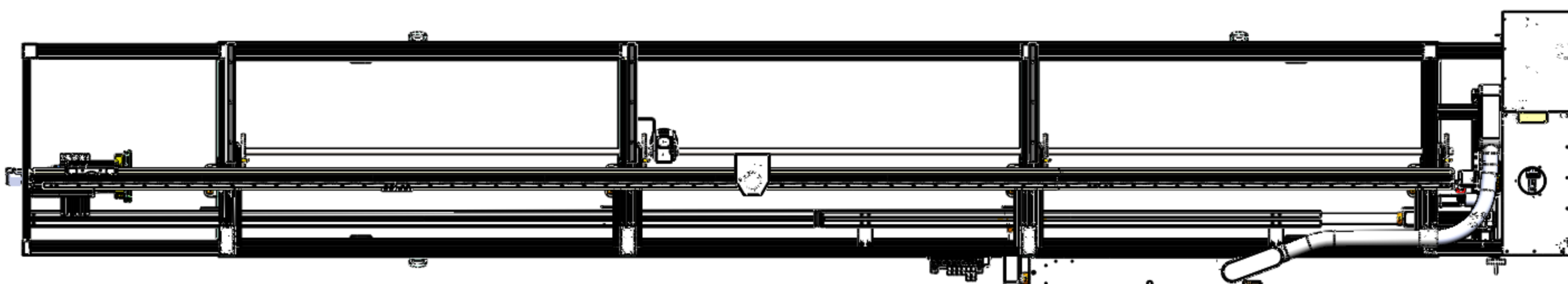
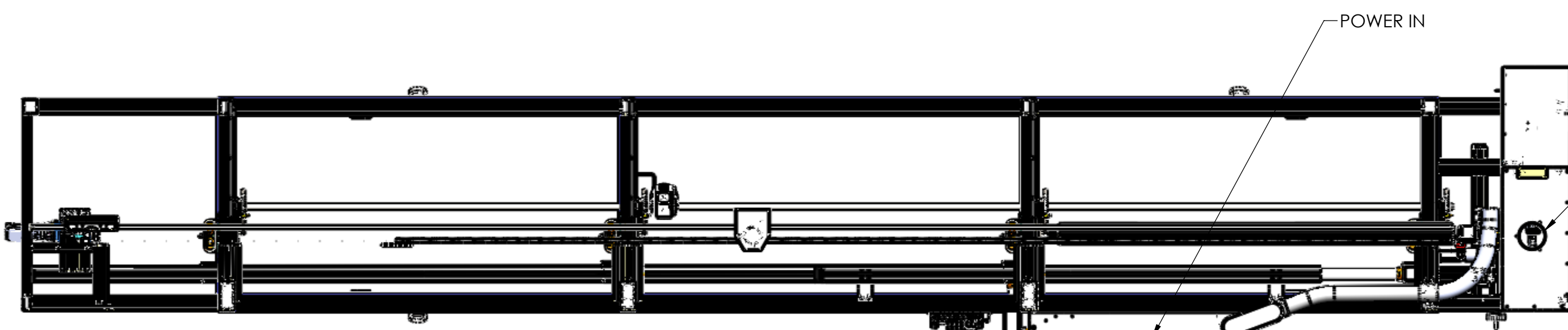


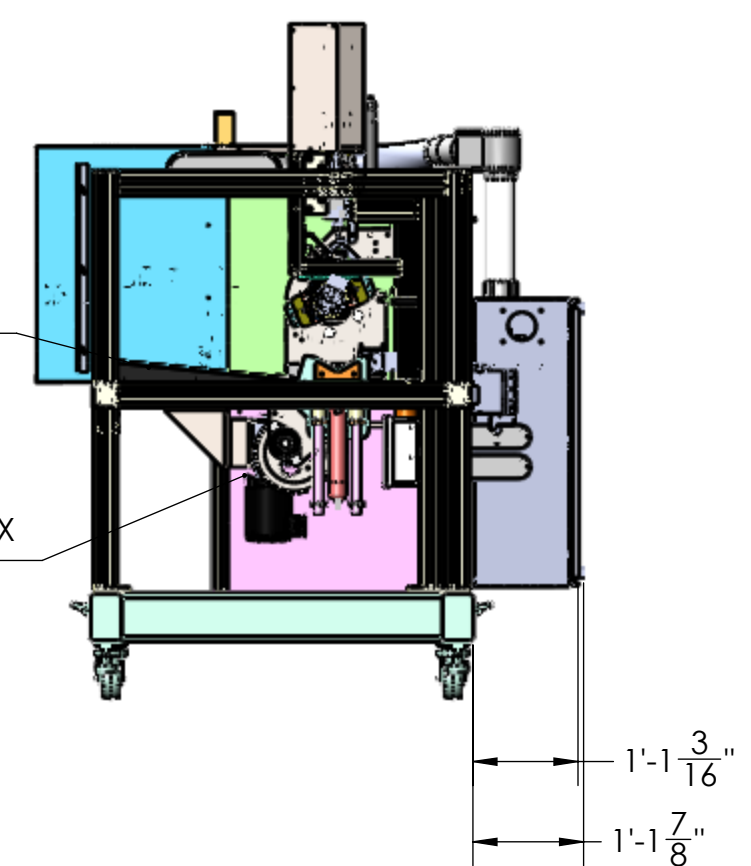
REVISIONS					
REV.	DESCRIPTION	BY	DATE	DATE	APPROVED
		JFD	1-19-2012	1-19-2012	1-19-2012



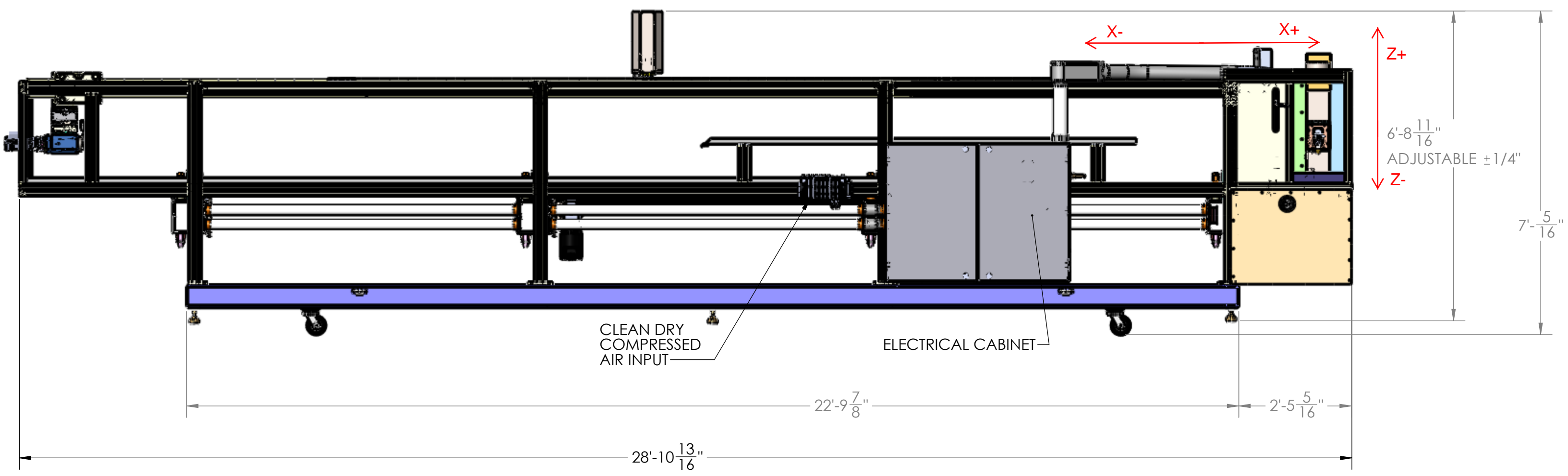
7'-10 <sup>15</sup>/<sub>16</sub>"  
ENCLOSURE OPENING CLEARANCE



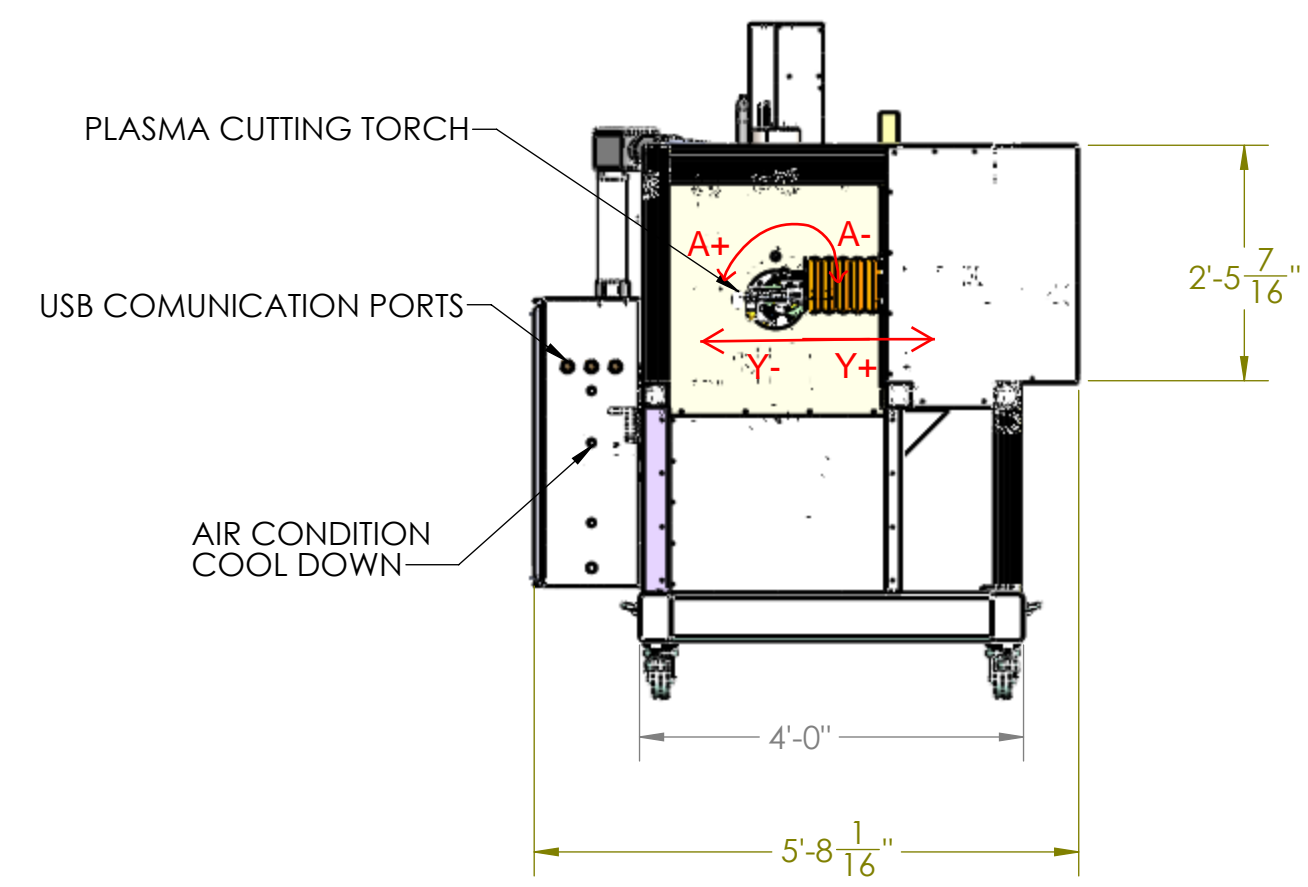
POWER IN  
FUME EXHAUST VENT  
TPC CONTROLS  
R1'-11 <sup>3</sup>/<sub>16</sub>" TYP  
ENCLOSURE DOOR  
OPENING CLEARANCE



INCLINE RAMP  
CAM AND INDEX  
MOTOR ASSY  
1'-1 <sup>3</sup>/<sub>16</sub>"  
1'-1 <sup>7</sup>/<sub>8</sub>"



CLEAN DRY  
COMPRESSED  
AIR INPUT  
ELECTRICAL CABINET  
22'-9 <sup>7</sup>/<sub>8</sub>"  
2'-5 <sup>5</sup>/<sub>16</sub>"  
28'-10 <sup>13</sup>/<sub>16</sub>"  
7'-<sup>5</sup>/<sub>16</sub>"  
6'-8 <sup>11</sup>/<sub>16</sub>"  
ADJUSTABLE ± 1/4"  
X- X+  
Z+ Z-



PLASMA CUTTING TORCH  
USB COMMUNICATION PORTS  
AIR CONDITION  
COOL DOWN  
4'-0"  
5'-8 <sup>1</sup>/<sub>16</sub>"  
2'-5 <sup>7</sup>/<sub>16</sub>"  
A+ A-  
Y- Y+

PLASMA CUTTING TORCH

<b>CONFIDENTIAL</b>		3rd ANGLE PROJECTION		 Electro-Mechanical Integrators, Inc.	
UNLESS OTHERWISE SPECIFIED DIMENSIONS ARE IN INCHES		DRAWN: JFD		DATE: 2014-12-01	
TOLERANCES:		CHECKED:		TITLE: Standard TPC	
DECIMALS: X.XX ±0.10 X ±1.0"		ENG APPR:		Outline Right Hand TPC	
ANGLES: X.XXX ±0.010 X.X ±0.5°		MFG APPR:		REV	
INTERPRET GEOMETRIC TOLERANCING PER:		G.A.		SIZE DWG. NO.	
MATERIAL: SEE NOTES		FILE NO: 000000 A		D 000000	
FINISH: SEE NOTES		000000 A		SCALE: 1:24 WEIGHT:	
DO NOT SCALE DRAWING		Outline Right Hand TPC		SHEET 1 OF 1	