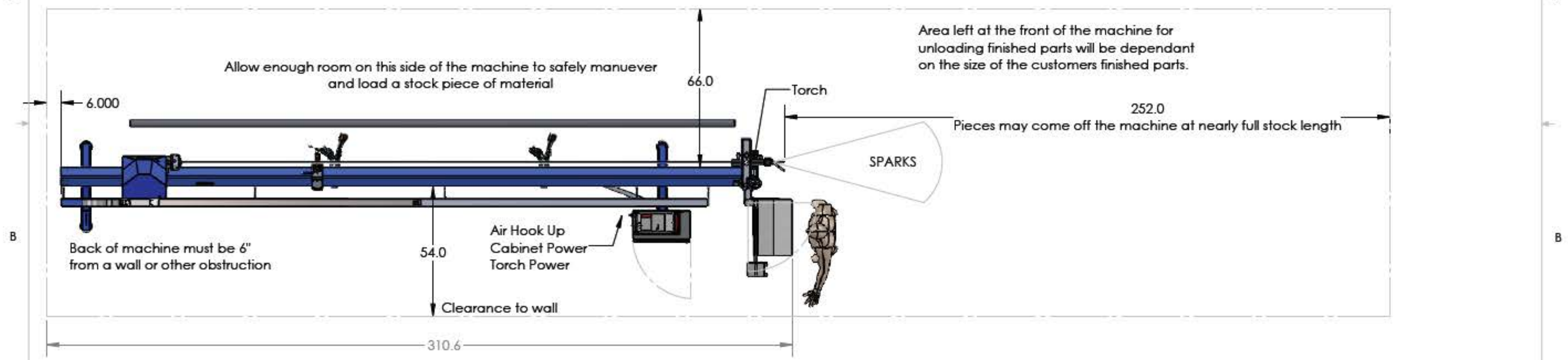


Holds 21' length material and can nest between legs on the machine



NOTES
1. ALL DIMENSIONS ARE IN INCHES

CONFIDENTIAL UNLESS OTHERWISE SPECIFIED DIMENSIONS ARE IN INCHES TOLERANCES:		3rd ANGLE PROJECTION		EMInc Electro-Mechanical Integrators, Inc	
DECIMALS	ANGLES	DRAWN	NAME	DATE	TITLE:
X.X ±0.020	X ±1.0°		M.Keele	10/25/2016	TPC
X.XX ±0.010	X.X ±0.5°	CHECKED			EL TPC 2100
X.XXX ±0.005		ENG APPR.			
INTERPRET GEOMETRIC TOLERANCING PER:		MFG APPR.			
MATERIAL	None	G.A.			
FINISH	None	007069_A_EL TPC 2100			
DO NOT SCALE DRAWING				SIZE	DWG. NO.
				B	Floor Layout Drawing
				SCALE: 1:48	SHEET 1 OF 1

USED ON: _____ PART NUMBER: _____
NEXT ASSEMBLY: _____
PROPRIETARY AND CONFIDENTIAL
THE INFORMATION CONTAINED IN THIS DRAWING IS THE SOLE PROPERTY OF ELECTRO-MECHANICAL INTEGRATORS, INC. ANY REPRODUCTION IN PART OR AS A WHOLE WITHOUT THE WRITTEN PERMISSION OF ELECTRO-MECHANICAL INTEGRATORS, INC. IS PROHIBITED.