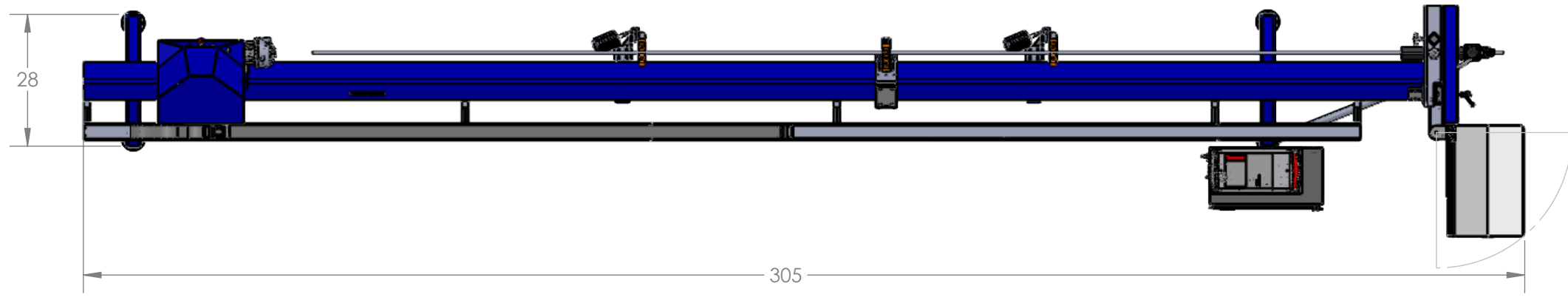
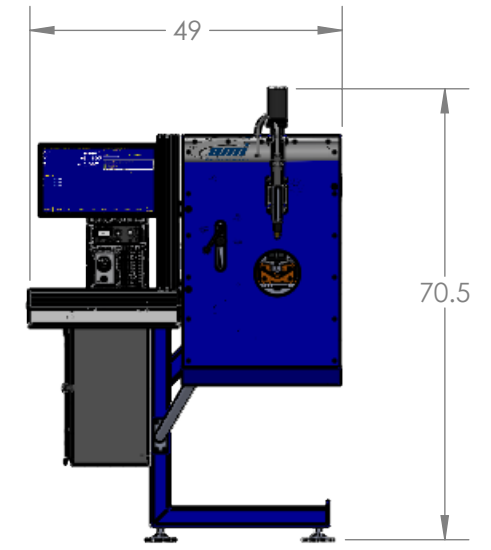
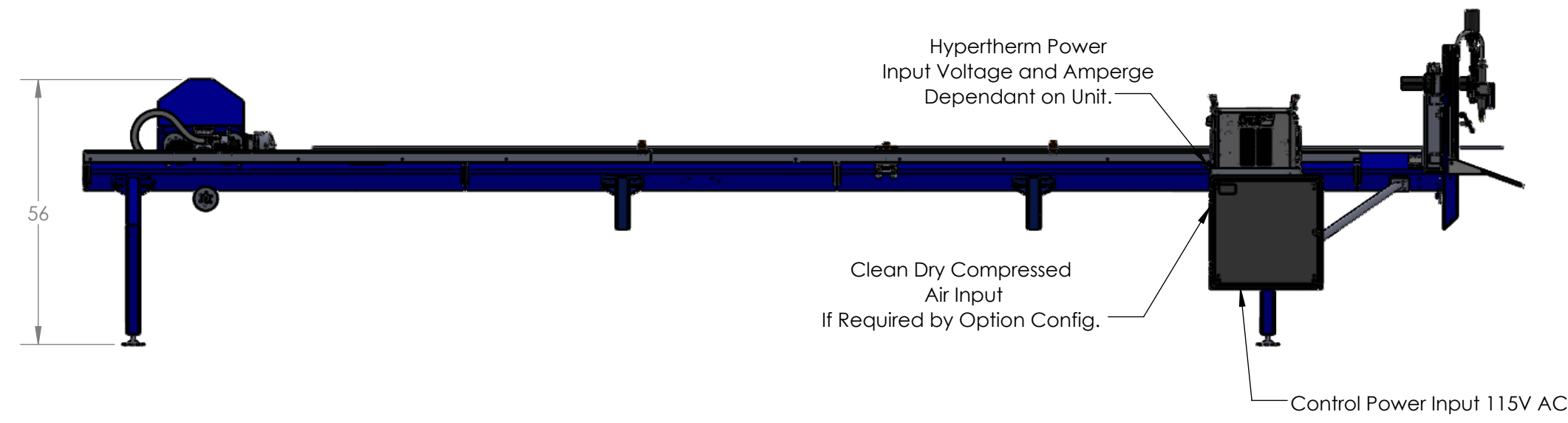


8 7 6 5 4 3 2 1

D



C



B

A

**NOTES**  
1. ALL DIMENSIONS ARE IN INCHES

USED ON	PART NUMBER
NEXT ASSEMBLY	
<b>PROPRIETARY AND CONFIDENTIAL</b>	
THE INFORMATION CONTAINED IN THIS DRAWING IS THE SOLE PROPERTY OF ELECTRO-MECHANICAL INTEGRATORS, INC. ANY REPRODUCTION IN PART OR AS A WHOLE WITHOUT THE WRITTEN PERMISSION OF ELECTRO-MECHANICAL INTEGRATORS, INC. IS PROHIBITED.	

<b>CONFIDENTIAL</b>	
UNLESS OTHERWISE SPECIFIED DIMENSIONS ARE IN INCHES	
TOLERANCES:	
DECIMALS	ANGLES
X.X ±0.020	X ±1.0°
X.XX ±0.010	X.X ±0.5°
X.XXX ±0.005	
INTERPRET GEOMETRIC TOLERANCING PER:	
MATERIAL	None
FINISH	None
DO NOT SCALE DRAWING	

3rd ANGLE PROJECTION	
NAME	DATE
DRAWN	M.Keele/0/25/2016
CHECKED	
ENG APPR.	
MFG APPR.	
Q.A.	
006020_A_EL TPC 2130	

<b>EMInc</b> Electro-Mechanical Integrators, Inc		
TITLE: TPC EL TPC 2130		
SIZE <b>B</b>	DWG. NO. 006020	REV A
SCALE: 1:48		SHEET 1 OF 1

8 7 6 5 4 3 2 1