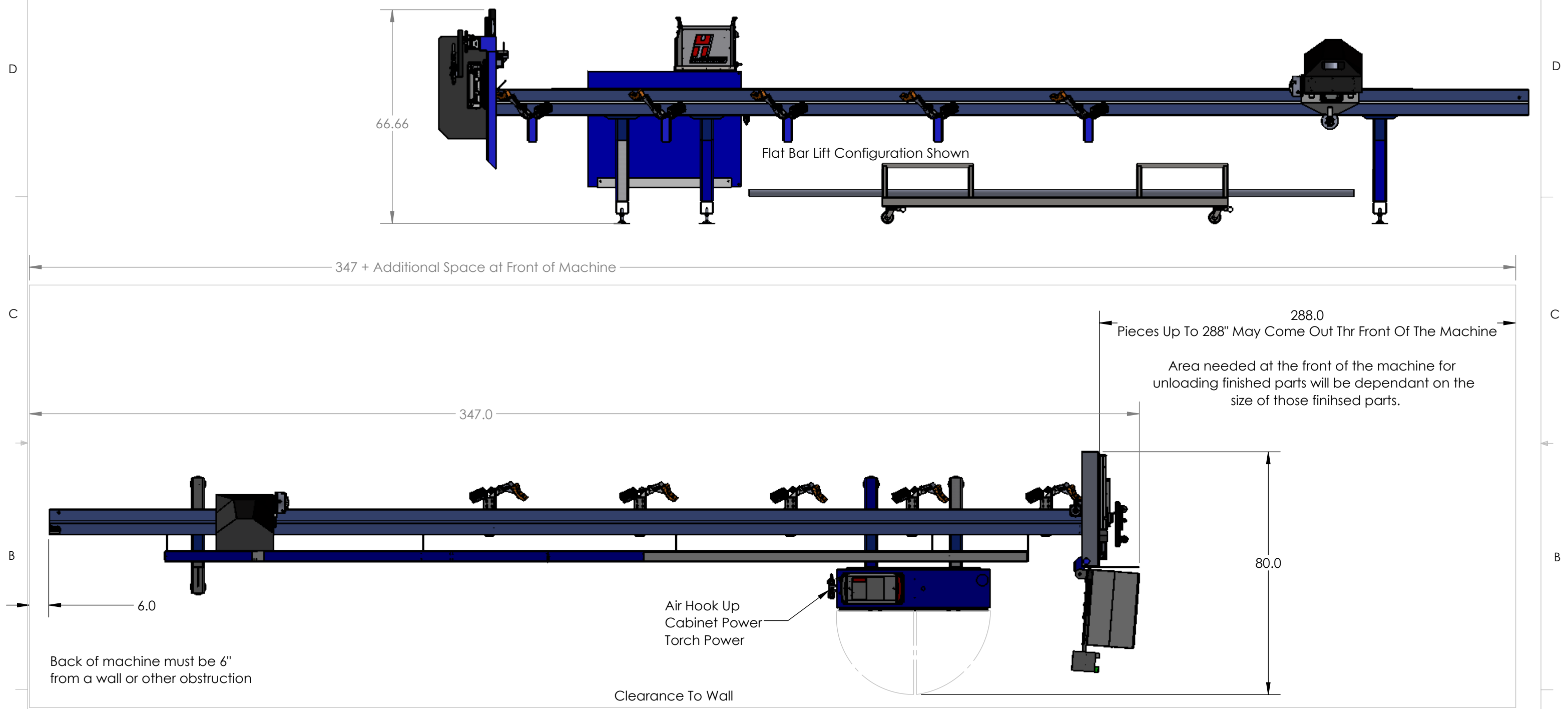


This Drawing is of the Servo Cabinet Configuration of the Machine



<p>CONFIDENTIAL UNLESS OTHERWISE SPECIFIED DIMENSIONS ARE IN INCHES TOLERANCES:</p> <table border="1"> <tr> <th>DECIMALS</th> <th>ANGLES</th> </tr> <tr> <td>X.X ±0.020</td> <td>X ±1.0°</td> </tr> <tr> <td>X.XX ±0.010</td> <td>X.X ±0.5°</td> </tr> <tr> <td>X.XXX ±0.005</td> <td></td> </tr> </table>		DECIMALS	ANGLES	X.X ±0.020	X ±1.0°	X.XX ±0.010	X.X ±0.5°	X.XXX ±0.005		<p>3rd ANGLE PROJECTION</p> <table border="1"> <tr> <th>NAME</th> <th>DATE</th> </tr> <tr> <td>DRAWN AWL</td> <td>10/28/2020</td> </tr> <tr> <td>CHECKED</td> <td></td> </tr> <tr> <td>ENG APPR.</td> <td></td> </tr> <tr> <td>MFG APPR.</td> <td></td> </tr> <tr> <td>Q.A.</td> <td></td> </tr> </table>		NAME	DATE	DRAWN AWL	10/28/2020	CHECKED		ENG APPR.		MFG APPR.		Q.A.		<p>EMInc <i>Electro-Mechanical Integrators, Inc</i></p> <p>TITLE: TPC TPC-EL SQRD Servo Cabinet Configuration</p>	
DECIMALS	ANGLES																								
X.X ±0.020	X ±1.0°																								
X.XX ±0.010	X.X ±0.5°																								
X.XXX ±0.005																									
NAME	DATE																								
DRAWN AWL	10/28/2020																								
CHECKED																									
ENG APPR.																									
MFG APPR.																									
Q.A.																									
<table border="1"> <tr> <th>USED ON</th> <th>PART NUMBER</th> </tr> <tr> <td></td> <td></td> </tr> <tr> <th colspan="2">NEXT ASSEMBLY</th> </tr> <tr> <td colspan="2">PROPRIETARY AND CONFIDENTIAL</td> </tr> <tr> <td colspan="2">THE INFORMATION CONTAINED IN THIS DRAWING IS THE SOLE PROPERTY OF ELECTRO-MECHANICAL INTEGRATORS, INC. ANY REPRODUCTION IN PART OR AS A WHOLE WITHOUT THE WRITTEN PERMISSION OF ELECTRO-MECHANICAL INTEGRATORS, INC. IS PROHIBITED.</td> </tr> </table>		USED ON	PART NUMBER			NEXT ASSEMBLY		PROPRIETARY AND CONFIDENTIAL		THE INFORMATION CONTAINED IN THIS DRAWING IS THE SOLE PROPERTY OF ELECTRO-MECHANICAL INTEGRATORS, INC. ANY REPRODUCTION IN PART OR AS A WHOLE WITHOUT THE WRITTEN PERMISSION OF ELECTRO-MECHANICAL INTEGRATORS, INC. IS PROHIBITED.		<table border="1"> <tr> <th>SIZE</th> <th>DWG. NO.</th> <th>REV</th> </tr> <tr> <td>B</td> <td>Floor Layout Drawing</td> <td>A</td> </tr> </table>		SIZE	DWG. NO.	REV	B	Floor Layout Drawing	A						
USED ON	PART NUMBER																								
NEXT ASSEMBLY																									
PROPRIETARY AND CONFIDENTIAL																									
THE INFORMATION CONTAINED IN THIS DRAWING IS THE SOLE PROPERTY OF ELECTRO-MECHANICAL INTEGRATORS, INC. ANY REPRODUCTION IN PART OR AS A WHOLE WITHOUT THE WRITTEN PERMISSION OF ELECTRO-MECHANICAL INTEGRATORS, INC. IS PROHIBITED.																									
SIZE	DWG. NO.	REV																							
B	Floor Layout Drawing	A																							
<p>DO NOT SCALE DRAWING</p>		<p>SCALE: 1:48</p>		<p>SHEET 1 OF 1</p>																					